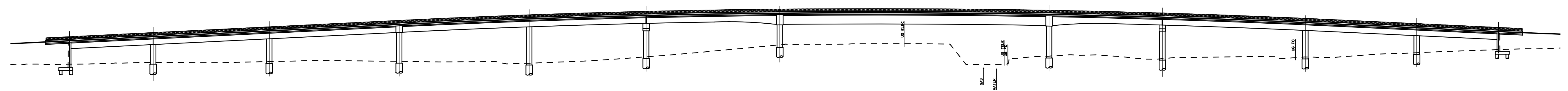


LRT BRIDGE AT KIPLING







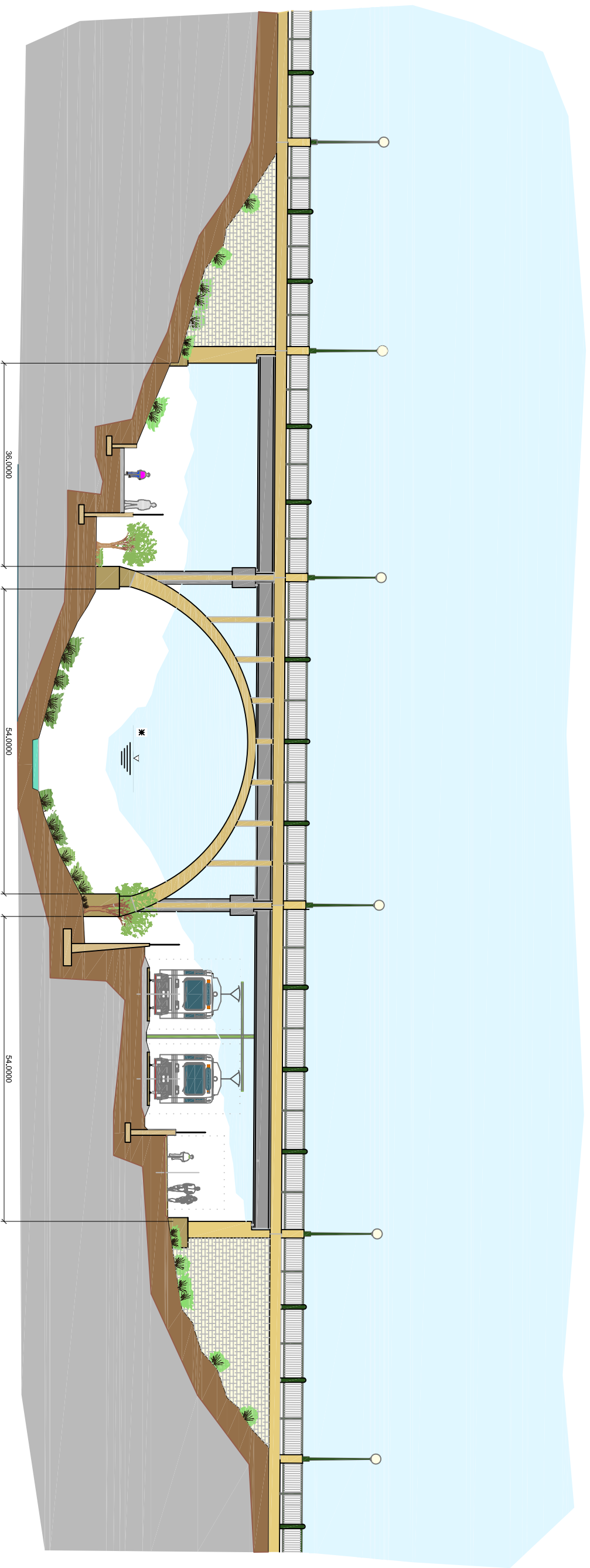
PLAN



ELEVATION

C:\Work\Projectwise\RTD\WEST\0001\dms00882\Indiana.dgn
7/19/2007 1:50:02 PM

NO.	REVISIONS	BY	DATE	DESIGNED BY:	DATE:	CHECKED BY:	DATE:	RTD CONTRACT NO. 15DH007	 REGIONAL TRANSPORTATION DISTRICT 1560 BROADWAY #700 DENVER, COLORADO 80202 (303) 299-6990	WEST CORRIDOR	DRAWING FILE NAME:
				DRAWN BY:	DATE:	APPROVED BY:	DATE:	DATE:			DATE:
				 1331 17th Street, Suite 900 Denver Colorado 80202 Phone: 720.946.0869	ORIGINAL SCALE			STRUCTURE NUMBERS		SHEET:	
					HORIZ:	VERT:			NO. _____		
										OF _____	

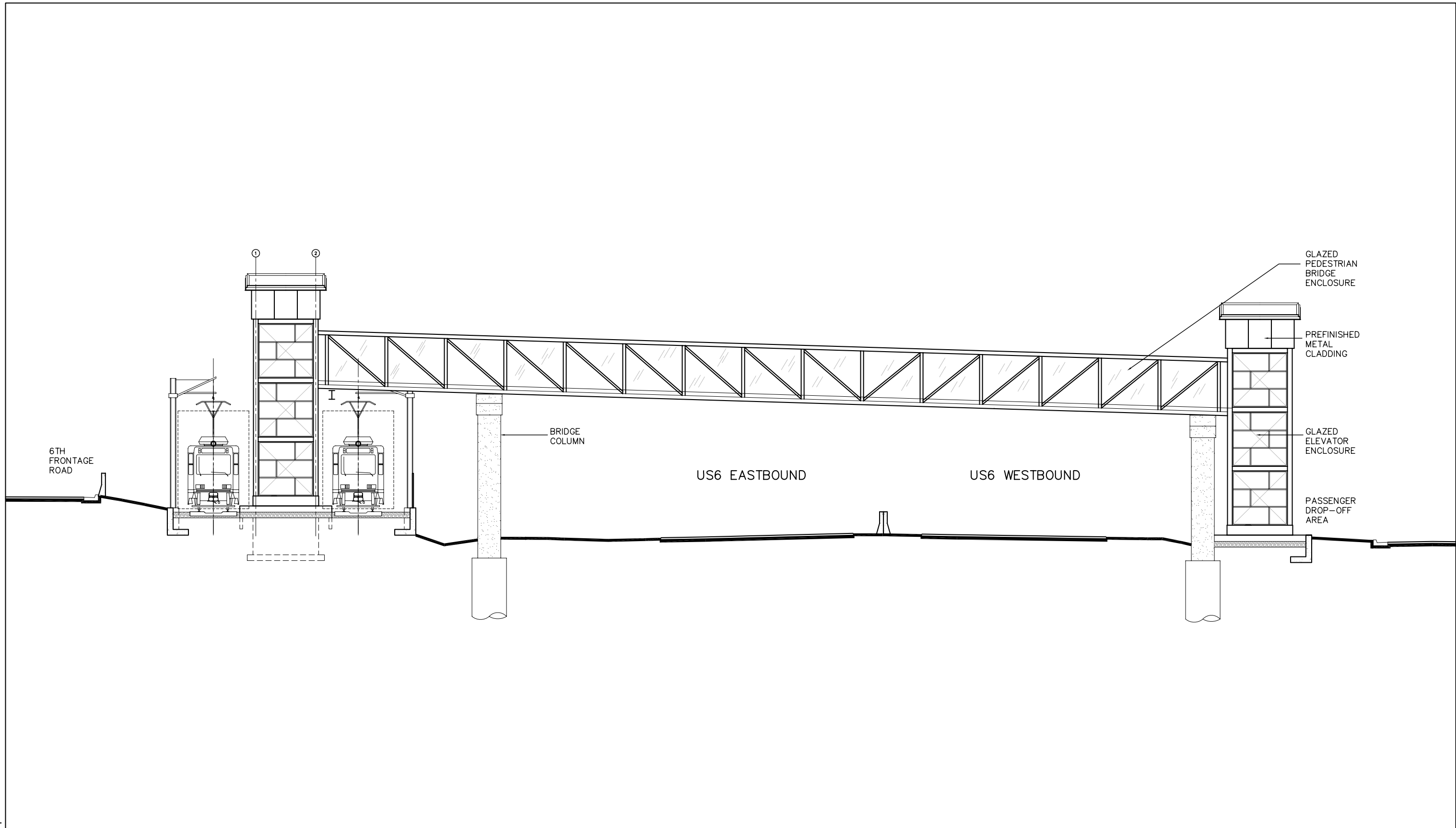


* 100 YEAR WATER SURFACE ELEVATION = 5213.40

FEDERAL AVENUE ARCH BRIDGE LOOKING WEST



j:\Facilities\02-3344 FasTracks West Corridor\3344.0- Drawings\Current\WCST02ES003.dwg
 Jul 12, 2007 9:16pm



NO.	REVISIONS	BY	DATE

DESIGNED BY: SB DATE: 3-21-07
 DRAWN BY: CV DATE: 3-21-07

DAVID EVANS AND ASSOCIATES INC.
 1331 17th Street, Suite 900
 Denver, Colorado 80202
 Phone: 720.946.0969

CHECKED BY: PZ DATE: 7-12-07
 APPROVED BY: DATE:

IBI
 1401 17th Street, Suite 610
 Denver, CO 80202
 303-713-1013 Fax: 303-713-1014

RTD CONTRACT NO. 15DH007
 DATE:
 ORIGINAL SCALE
 HORIZ: 1/8"=1'-0" VERT:

65%
 SUBMITTAL

west **FASTRACKS**
 REGIONAL TRANSPORTATION DISTRICT
 1560 BROADWAY #700
 DENVER, COLORADO 80202
 (303) 299-6990

WEST CORRIDOR
 RED ROCKS STATION
 BRIDGE ELEVATION

DRAWING FILE NAME:
 WCST02ES003
 SHEET:
 NO. SA-21
 OF SA-141